

PORT EQUIPMENT



MOL TERMINAL TRACTOR TYPE YME225/4x2

AC ELECTRIC MOTOR

- Rated power 140 kW
- Full continuous torque at zero speed.
- Rated torque 700Nm
- Automatic idle shut off
- Separate motors for auxiliaries.

TRANSMISSION

- Type : Allison automatic transmission with torque converter.
- Model : 3000
- Speeds : 5 forward, 1 reverse
- Ratio's : 3,49 - 1,86 - 1,41 - 1,00 - 0,75 (Rev.: 5,03)

FRONT AXLE

- Model : Daf steer-axle
- Capacity : 11.000 Kg. (at 20 Km/h)

REAR AXLE

- Model : Kessler drive axle, double reduction
- Capacity : 38.000 Kg. (at 20 Km/h)

FRONT SUSPENSION

- Type : Maintenance free parabolic leaf-springs and double-acting shock absorbers.

REAR SUSPENSION

- Type : Directly mounted to chassis.

TYRES

- Front : Single 11R22,5
- Rear : Dual 11R22,5

WHEELS

- 22,5 x 7,5 discwheel 10-hole

BRAKES

- Brakes with air-pressure, independent front and rear operated brakes.
- Parking brake with spring brake cylinders working on the rear wheels.
- Air-pressure connections for coupling of the semi-trailer.
- Air drying system.
- Air tanks: cap. 120 lit.

STEERING

- Hydrostatic power steering system with priority valve and emergency steering property. Steering cylinder on front axle.

CAB

- 69dB in cab.
- One-man cab with forward facing drivers position.
- Suspended cab.
- Inboard door.
- Good visibility, safety glass.
- Air-suspended and adjustable driver seat.
- Removable dashboard with display for temperature, battery gauge, rpm, speedometer and hour-meter, vehicle diagnostics.
- Heating system.
- Two-speed windscreen wiper and washer on front window.
- Two large exterior mirrors.
- Floor is covered with a noise reducing rubber mat.

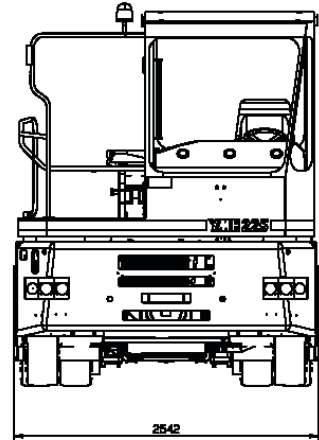
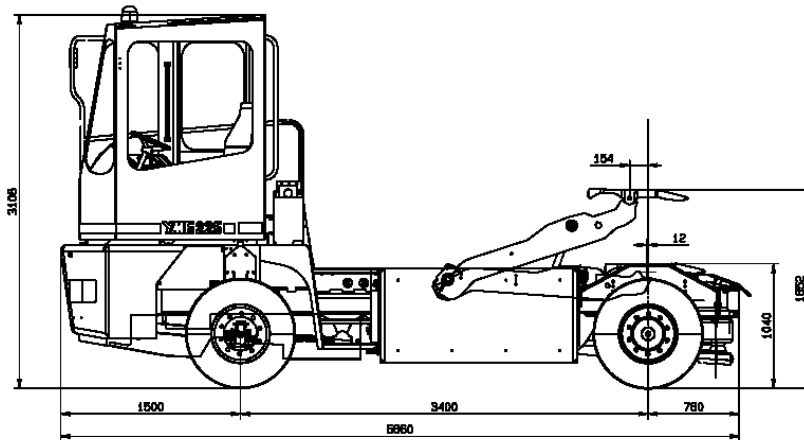
FIFTH WHEEL

- Type : 2" fifth wheel
- Hydraulic operated by two double-acting hydraulic cylinders.
- Capacity : 36.000 Kg.
- Unlocking by air, operated from the cab.

HYDRAULIC SYSTEM FOR FIFTH WHEEL

- Hydraulic valve controlled from inside the cab to lift-lower the fifth wheel.

TECHNICAL DRAWING



BATTERIES

- Lithium battery pack.
- Maintenance free
- Changeable.

LIGHTING

- Headlights, LED tail lights, LED work and beacon light.

FRAME

- Welded construction.
- Steps and walkways with non-slip surfaces on both sides of the chassis.
- Steelplate protection for batteries.

PAINTING

- High build two pack epoxy primer/surfacer with high protection against corrosion.
- High build two-pack acrylic lacquer with outstanding weather resistance.

WEIGHTS

- Empty weights : ca. 11.000 Kg.
- Max. G.C.W. : 44.000 Kg

PERFORMANCES

- Max. speed empty : ca. 40 km/h
- Max. tractive effort : ca. 130 kN

OPTIONS

- Air suspension with rubber stop.
- Mudfenders with flaps on rear wheels.
 - Rubber mudfenders.
 - Steel mudfenders.
- Windscreen wiper on rear window.
- 5H charger.
- 8H charger.
- 2nd battery pack.

MOL CY NV
DIKSMUIDESTEENWEG 68
8840 STADEN - BELGIUM

T +32 (0)51 70 16 81
F +32 (0)51 70 30 38

info@molcy.com
www.molcy.com

Dealer: